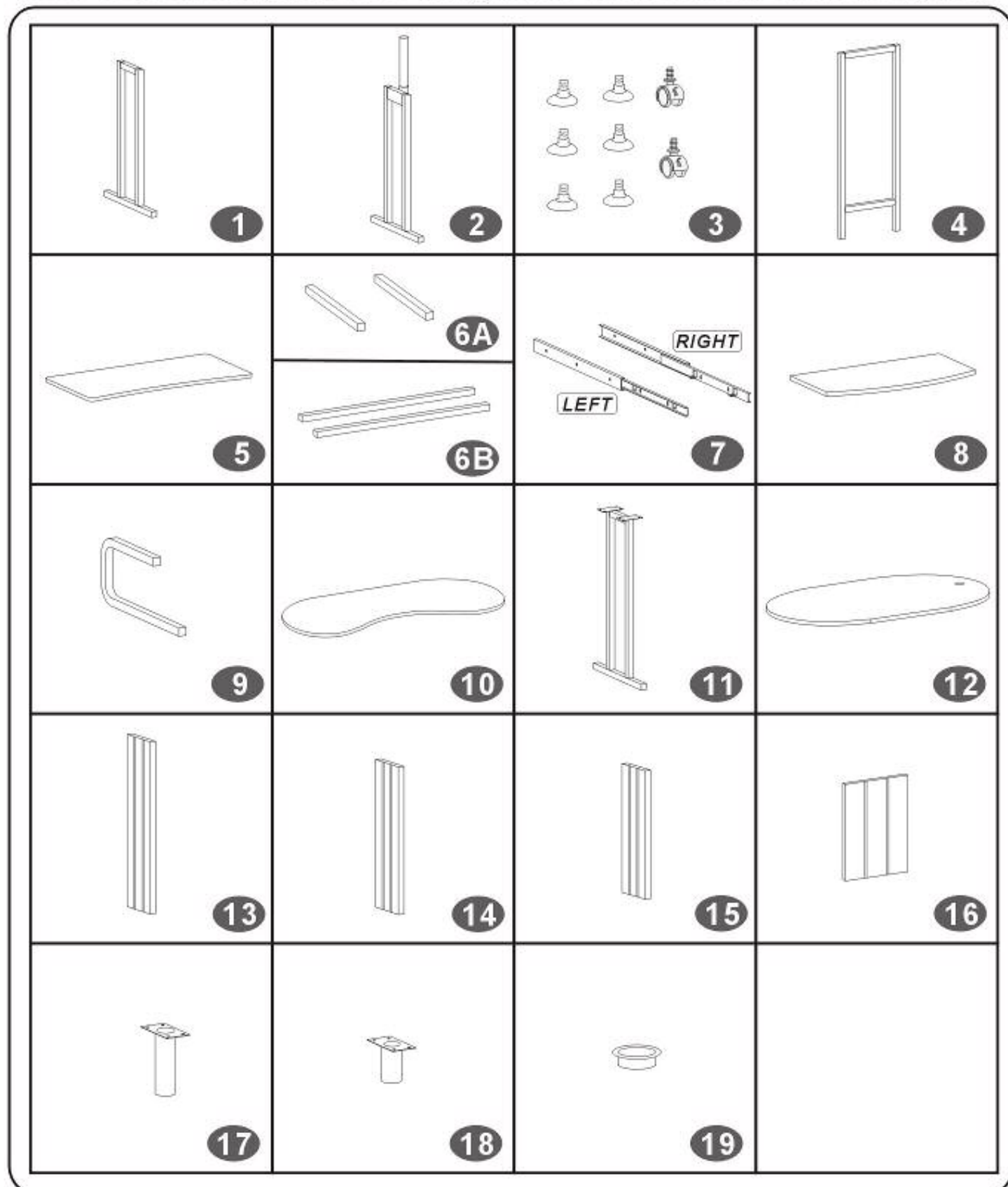


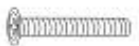


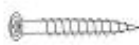






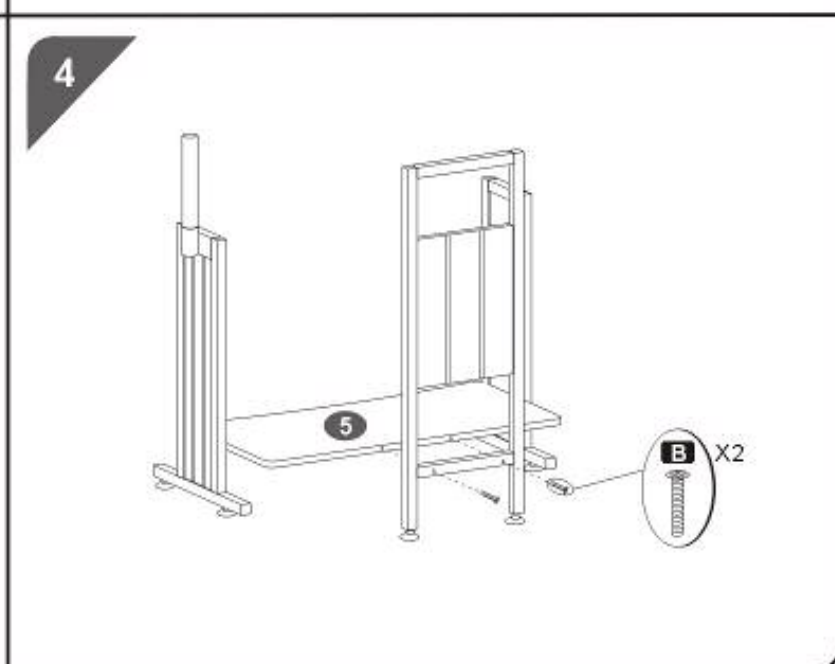
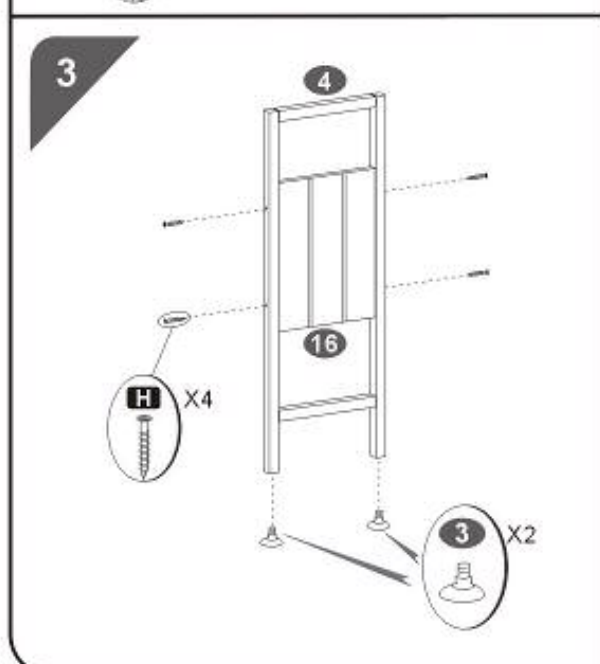
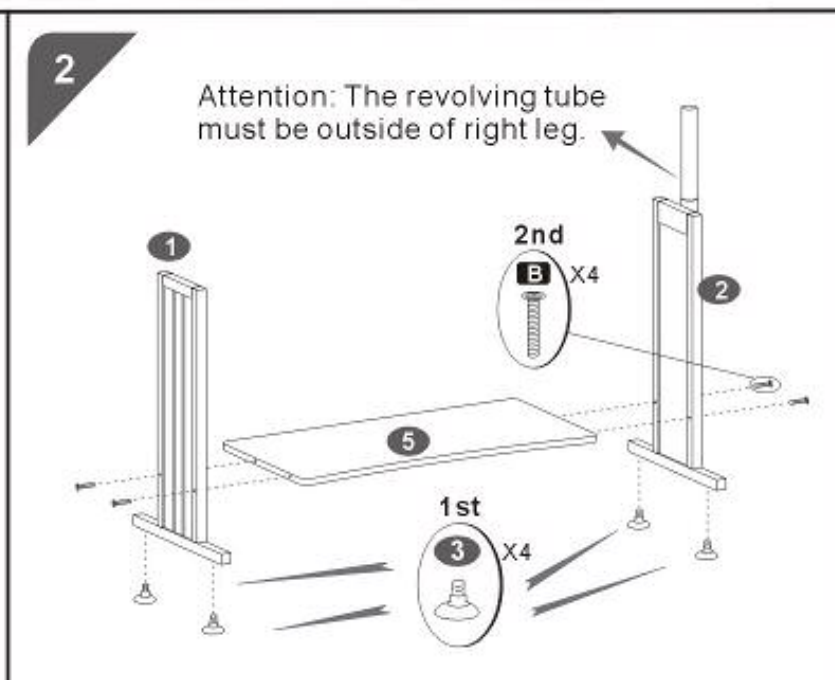
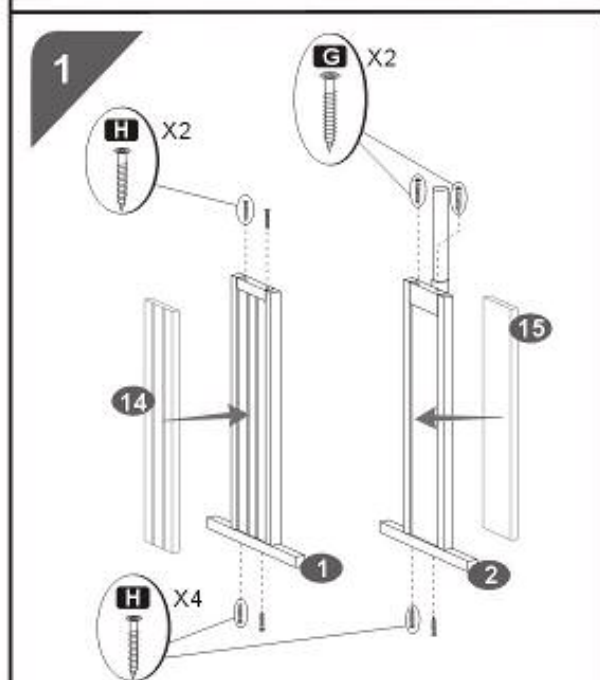
# MULTI FUNCTIONS COMPUTER TABLE

## S-213 ASSEMBLY INSTRUCTION

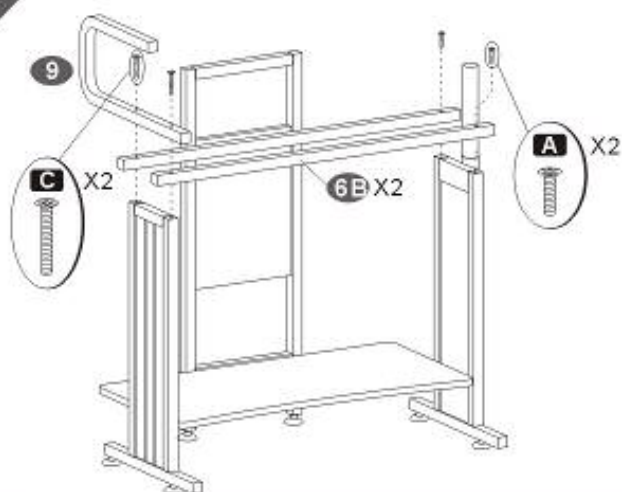
Thanks for purchasing one of our products, please read carefully the assembly instructions before the installation (Attention: Do not tighten the screws before all screws are in place).



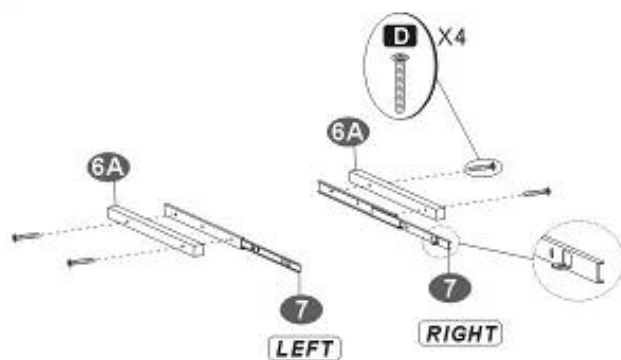
PART	QTY.	ITEM		PART	QTY.	ITEM	
<b>A</b>	6	6X35 MM		<b>F</b>	4	6X55 MM	
<b>B</b>	6	6X50 MM		<b>G</b>	2	5X70 MM	
<b>C</b>	2	6X60 MM		<b>H</b>	14	5X40 MM	
<b>D</b>	4	4X30 MM			1		
<b>E</b>	20	4X14 MM			1		



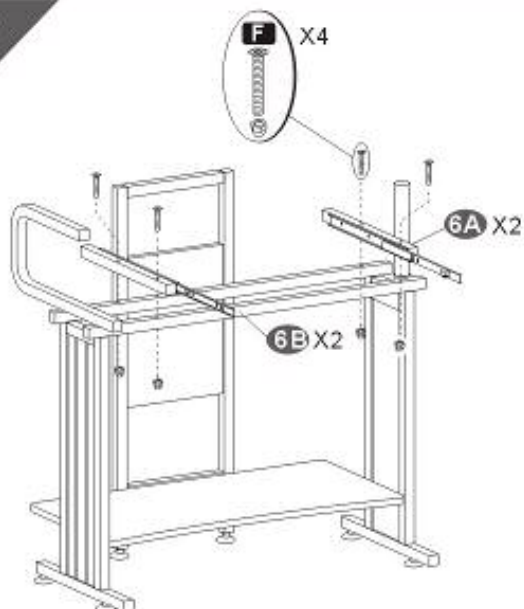
5



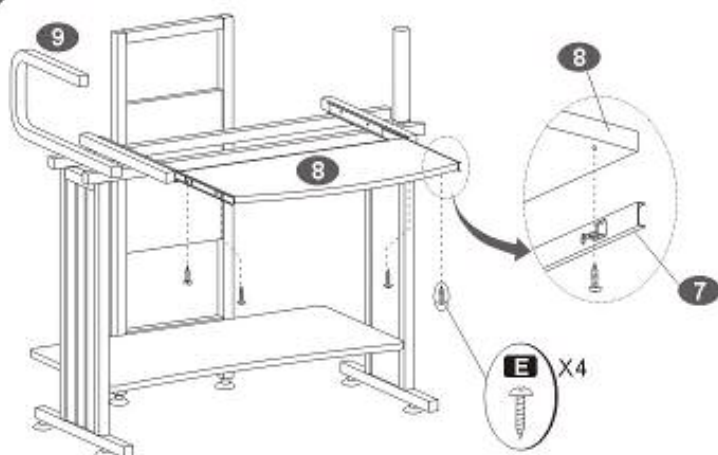
6



7



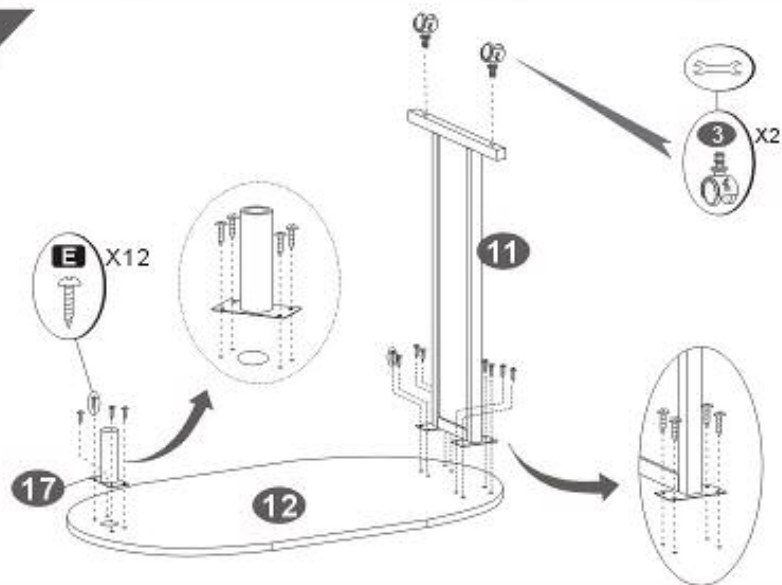
8



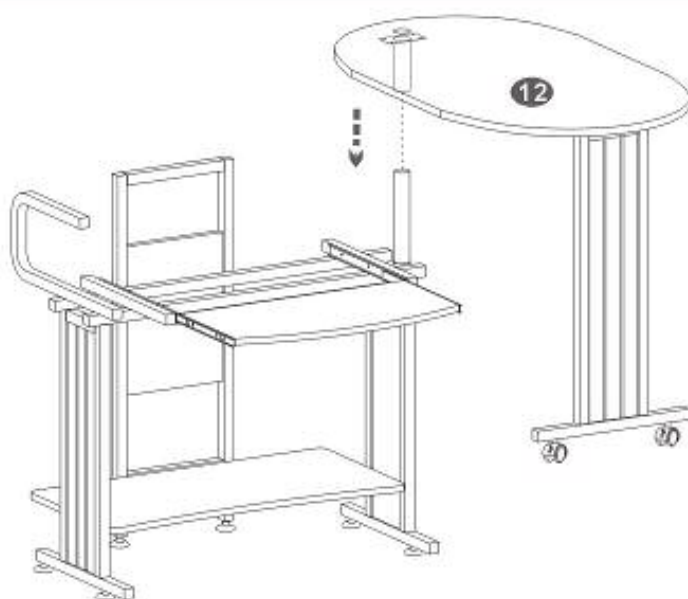
9



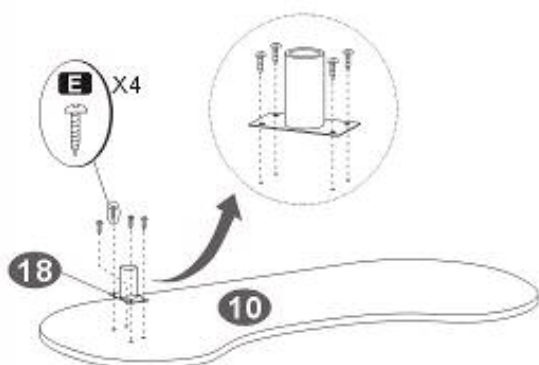
10



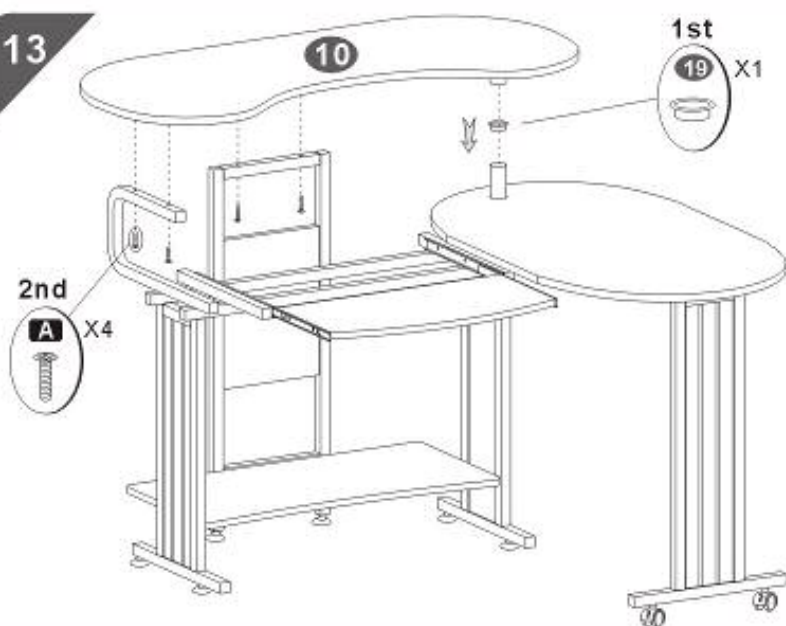
11



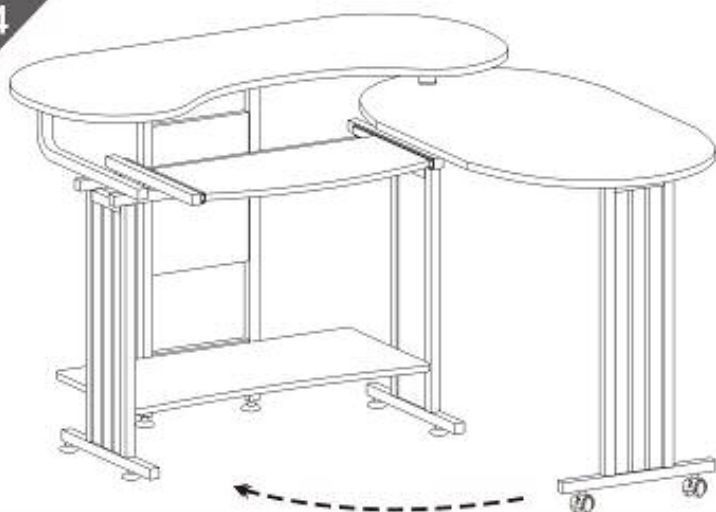
12



13



14



15

