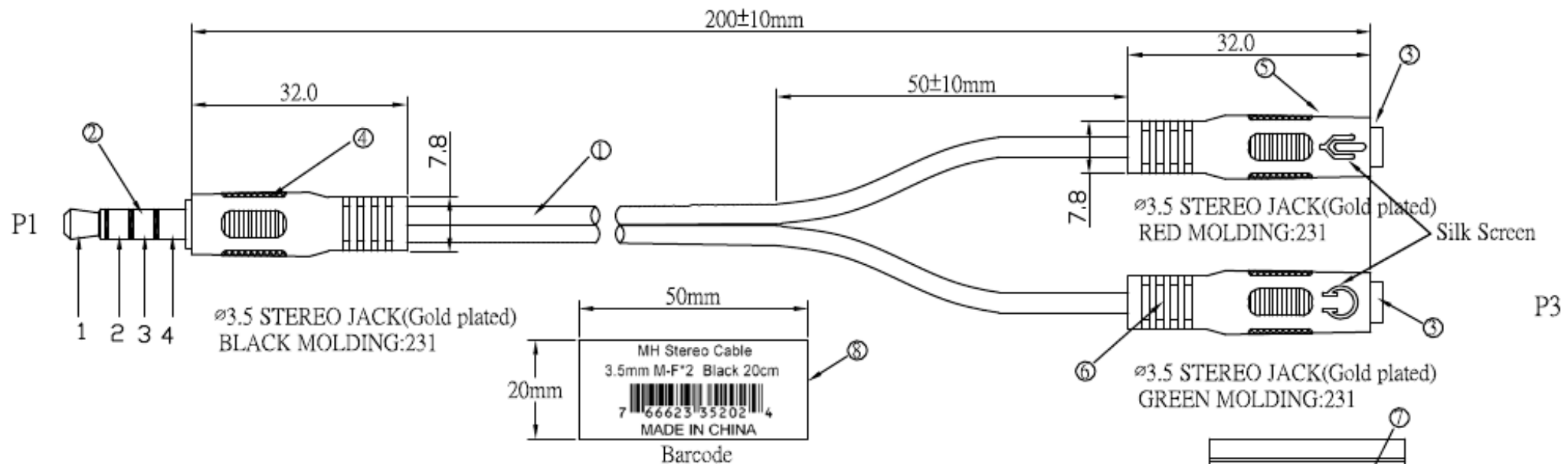


REV.	DESCRIPTION	ENG.	APPROVAL
B	Change the moldel		07/01 2015.3.10



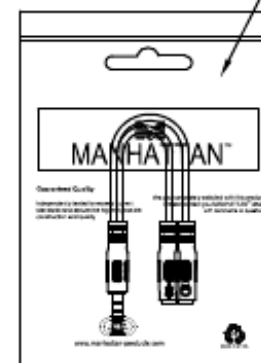
⑦	MH ZIP BAG(0.08*9.15*15.25)	1PC
⑥	GREEN 45P PVC	12g
⑤	RED 45P PVC	12g
④	BLACK 45P PVC	12g
③	3.5 STEREO JACK(Gold plated)	2PC
②	3.5 STEREO PLUG 4 POLE(Gold plated)	1PC
①	NON-UL(28#*2C+S)*2F,OD=2.8*5.6mm,Black PVC JACKET	1PC
No.	Description	Qty

PIN ASSIGNMENT:

P1	1	2	3	4
P2			64	1+2
P3	1	2	64	

OPEN/SHORT TEST: 100% TEST.

INSULATION: 5M.



MH ZIP BAG(0.08\*9.15\*15.25)+MH Barcode

THESE DRAWINGS AND SPECIFICATIONS ARE THE PROPERTY OF INTRACOM Asia Co.,Ltd. AND SHALL NOT BE REPRODUCED COPIED OR USED IN ANY MANNER WITHOUT THE PRIOR WRITTEN CONSENT OF INTRACOM Asia Co.,Ltd.

UNLESS OTHERWISE SPECIFIED: DIMENSIONS ARE IN MILLIMETERS ANGULAR TOLERANCE: ±1°

TOLERANCE( INCH )		TOLERANCE( MM )	
x	±0.02"	x	±0.5mm
x.x	±0.01"	x.x	±0.20mm
x.xx	±0.008"	x.xx	±0.15mm
x.xxx	±0.005"	x.xxx	±0.10mm

**INTRACOM**

TITLE:	APPD				
	Check				
CUSTOMER:	Drawer				
CUSTOMER P/N:	Unit	mm	Projection	☐	☐
ICT P/N: 352024	Scale	1:1	Size	A4	
DWG.NO:	Sheet	1 of	REV.	B	